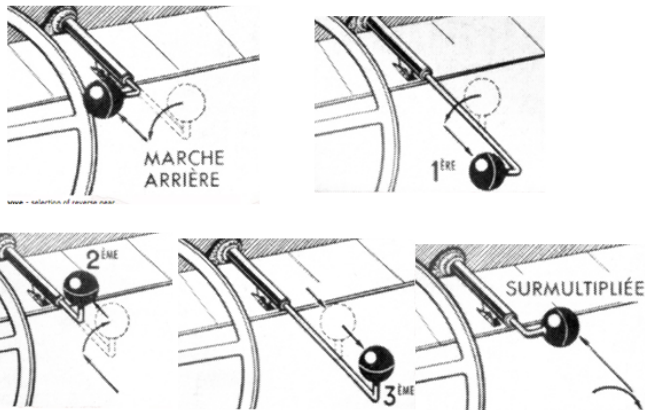
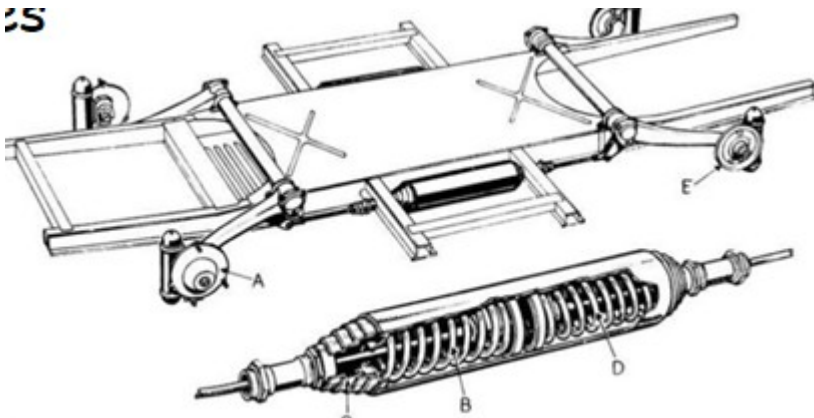


# Les Slimes

March 2022



25

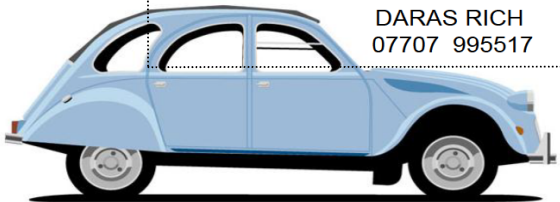


## Inside

- Club Meeting at Royal Oak Wineham. 19.30 on Thursday March 17 (out door heated huts available)
- Esso Petrol

## Two Citroen innovations to think about this time...

- why 'no fourth gear' and what's special about 1st and Reverse?
- what's unique about 2cv suspension ?



DARAS RICH  
07707 995517

2CV DYANE AMI AK AZU ACADIANE MEHARI LOMAX  
Mechanical Repairs Servicing Welding Mots Etc  
FULLY TRAINED MECHANIC WITH OVER 30 YEARS EXPERIENCE OF ALL TYPES OF CAR

PLUS NEW & SECONDHAND PARTS AT:

RETROSPEC PARTS .com



MATT'S SOFT TOPS

Matt's Soft Tops is 21 years old and our range of high-quality products is wider than ever

Hand-made plain, striped and custom hoods for 2CVs and Dyanes in acrylic canvas

Heated windows, Headlining, Grille Muffs

Seat re-upholstery for 2CV, Dyane, Van, Ami 6, H-van, Ami 8 plus custom orders

See the full range on [www.matts-soft-tops.co.uk](http://www.matts-soft-tops.co.uk)

13 Lewis Road, Chichester PO19 7LZ  
01243 780132

Newsletter of South Downs Escargots ([www.southdownsescargots.co.uk/](http://www.southdownsescargots.co.uk/))  
Member group of 2cvGB Articles and 2cv news always welcome.  
Please send copy and pics to John Chaplin ([biker1@btinternet.com](mailto:biker1@btinternet.com))

# Les Slimes



## E5 Petrol and the 602 Engine

- From various articles I have read I am not sure how 'damaging' E10 petrol is to our cars.
- Did you know that Esso E5 Supreme has *no* ethanol at all.
- So while the jury is still out, if you want to err on the complete safe side, head for Esso.

# Les Slimes



2CV CLUB THURSDAY  
AT ROYAL OAK

21 OCTOBER 2021

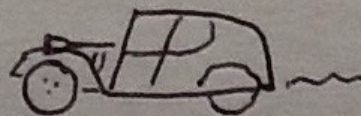
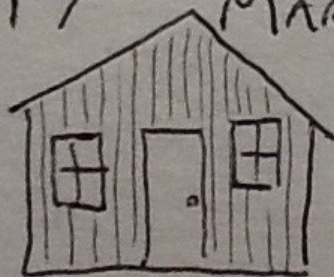
18 NOVEMBER 2021

16 DECEMBER 2021

20 JANUARY 2022

17 FEBRUARY 2022

17 MARCH 2022



7:30 for 8:00 PM